

SKYWING V

Sports & High Mast Light

www.ishinelux.com

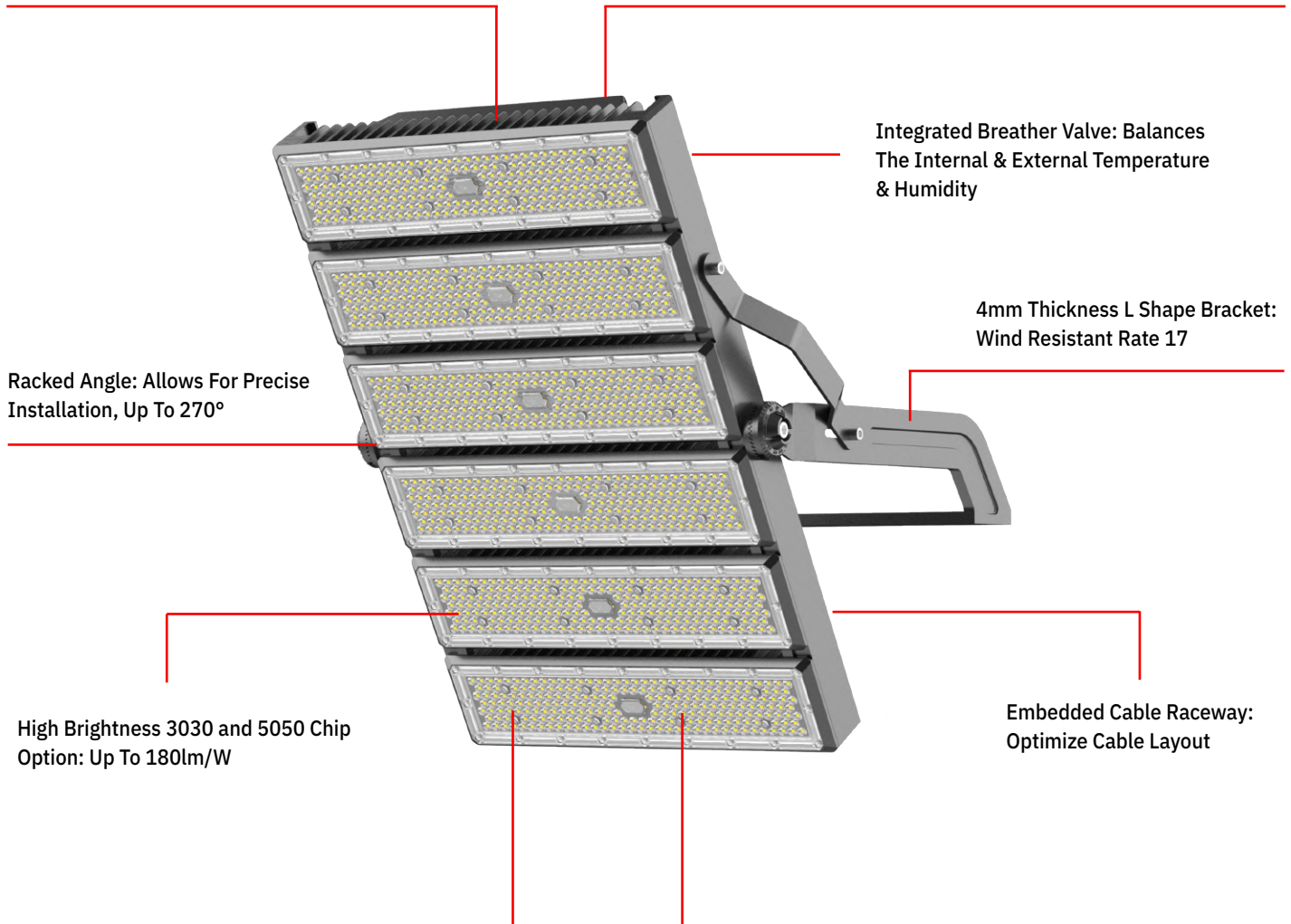
Tel: +86-755-29815402

Email: info@ishinelux.com

Key Features

Die Casting Heat Sink: Excellent Thermal Management & Compact Structure

Single Module 150W, Up To 8 Modules Can Be Combined Into 1200W



Raked Angle: Allows For Precise Installation, Up To 270°

Integrated Breather Valve: Balances The Internal & External Temperature & Humidity

4mm Thickness L Shape Bracket: Wind Resistant Rate 17

High Brightness 3030 and 5050 Chip Option: Up To 180lm/W

Embedded Cable Raceway: Optimize Cable Layout

High Strength Polycarbonate Lens: Realize In IK08
Tempered Glass Cover Option: To Apply In Harsh Conditions

Photometry: Symmetrical 30°/45°/60°/90°, Asymmetric 140°*80°/120°*40°*60°



Sports and High Mast Light ISL-QCD-E150W

Specifications

Optical Data

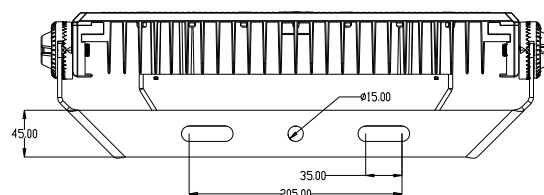
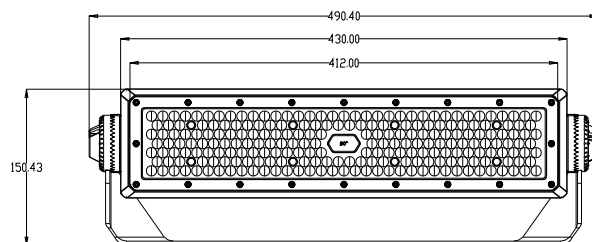
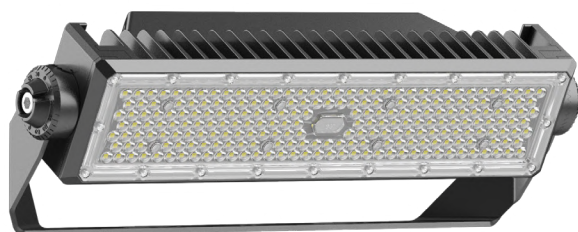
Power	150W
LED Chips	LUMILEDS / SANAN
Luminous Efficacy	140~150lm/W
Luminous Flux	Refer to IES
CCT	3000K~6500K
Beam Angle	30° / 45° / 60° / 90° 80°*140° / 120°*40°*60°
CRI (Ra)	70+/80+

Electrical Data

Driver	Meanwell/Sosen
Input Voltage	AC100~277V
Power Factor	>0.95
Output Voltage	DC48V
Total Harmonic Distortion	< 15%
Driver Efficiency	92%

Others

IP Rating	IP66
Lifespan	60,000Hrs
Housing	Die-cast aluminum
Lens Material	Polycarbonate
Fixture Size	150*490*140mm
Carton Size	510*180*170mm
Net Weight	4.5KG
Gross Weight	5.5KG



Sports and High Mast Light ISL-QCD-E300W

Specifications

Optical Data

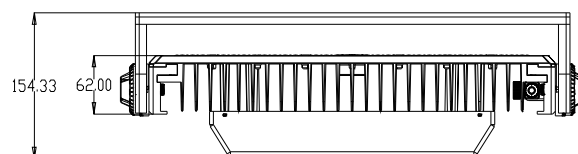
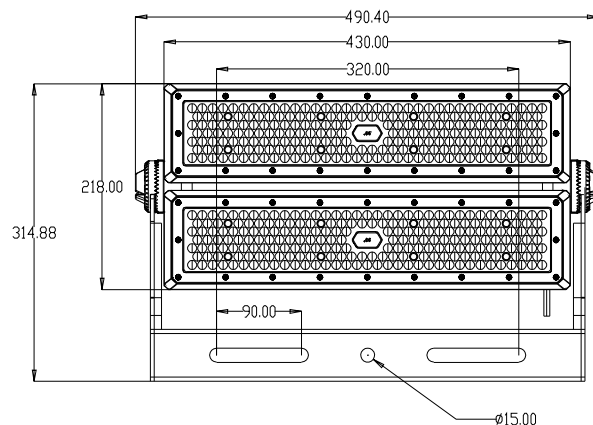
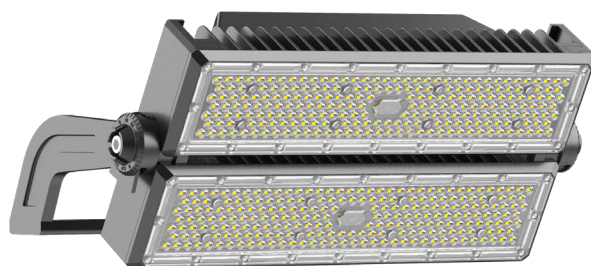
Power	300W
LED Chips	LUMILEDS / SANAN
Luminous Efficacy	140~150lm/W
Luminous Flux	Refer to IES
CCT	3000K~6500K
Beam Angle	30° / 45° / 60° / 90° 80°*140° / 120°*40°*60°
CRI (Ra)	70+/80+

Electrical Data

Driver	Meanwell/Sosen
Input Voltage	AC100~277V
Power Factor	>0.95
Output Voltage	DC48V
Total Harmonic Distortion	<15%
Driver Efficiency	92%

Others

IP Rating	IP66
Lifespan	60,000Hrs
Housing	Die-cast aluminum
Lens Material	Polycarbonate
Fixture Size	315*490*155mm
Carton Size	510*350*180mm
Net Weight	8.5KG
Gross Weight	9.5KG



Sports and High Mast Light ISL-QCD-E450W

Specifications

Optical Data

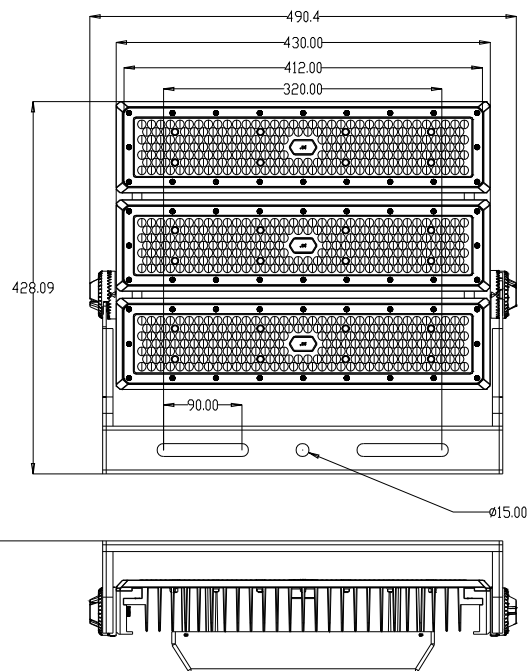
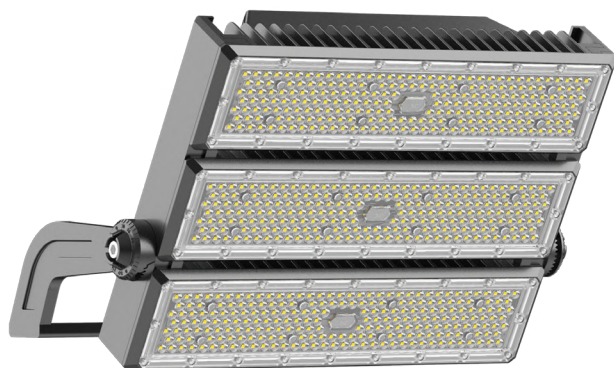
Power	450W
LED Chips	LUMILEDS / SANAN
Luminous Efficacy	140~150lm/W
Luminous Flux	Refer to IES
CCT	3000K~6500K
Beam Angle	30° / 45° / 60° / 90° 80°*140° / 120°*40°*60°
CRI (Ra)	70+/80+

Electrical Data

Driver	Meanwell/Sosen
Input Voltage	AC100~277V
Power Factor	>0.95
Output Voltage	DC48V
Total Harmonic Distortion	< 15%
Driver Efficiency	92%

Others

IP Rating	IP66
Lifespan	60,000Hrs
Housing	Die-cast aluminum
Lens Material	Polycarbonate
Fixture Size	428*490*155mm
Carton Size	510*460*180mm
Net Weight	12.5KG
Gross Weight	13.5KG



Sports and High Mast Light ISL-QCD-E600W

Specifications

Optical Data

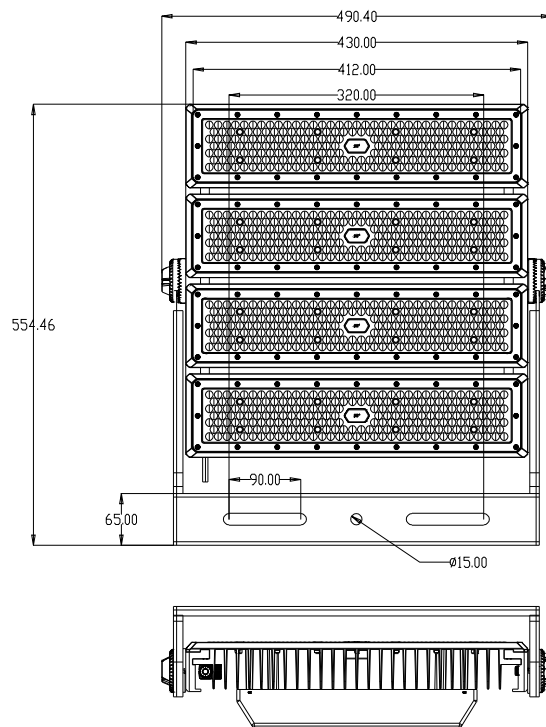
Power	600W
LED Chips	LUMILEDS / SANAN
Luminous Efficacy	140~150lm/W
Luminous Flux	Refer to IES
CCT	3000K~6500K
Beam Angle	30° / 45° / 60° / 90° 80°*140° / 120°*40°*60°
CRI (Ra)	70+/80+

Electrical Data

Driver	Meanwell/Sosen
Input Voltage	AC100~277V
Power Factor	>0.95
Output Voltage	DC48V
Total Harmonic Distortion	< 15%
Driver Efficiency	92%

Others

IP Rating	IP66
Lifespan	60,000Hrs
Housing	Die-cast aluminum
Lens Material	Polycarbonate
Fixture Size	555*490*155mm
Carton Size	510*580*180mm
Net Weight	16KG
Gross Weight	17.5KG



Sports and High Mast Light ISL-QCD-E750W

Specifications

Optical Data

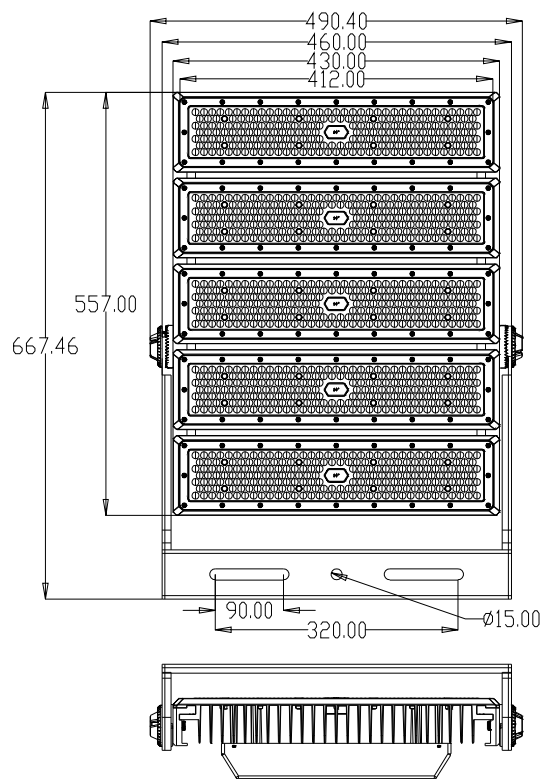
Power	750W
LED Chips	LUMILEDS / SANAN
Luminous Efficacy	140~150lm/W
Luminous Flux	Refer to IES
CCT	3000K~6500K
Beam Angle	30° / 45° / 60° / 90° 80°*140° / 120°*40°*60°
CRI (Ra)	70+/80+

Electrical Data

Driver	Meanwell/Sosen
Input Voltage	AC100~277V
Power Factor	>0.95
Output Voltage	DC48V
Total Harmonic Distortion	< 15%
Driver Efficiency	92%

Others

IP Rating	IP66
Lifespan	60,000Hrs
Housing	Die-cast aluminum
Lens Material	Polycarbonate
Fixture Size	668*490*155mm
Carton Size	510*700*180mm
Net Weight	20.5KG
Gross Weight	22KG



Sports and High Mast Light ISL-QCD-E900W

Specifications

Optical Data

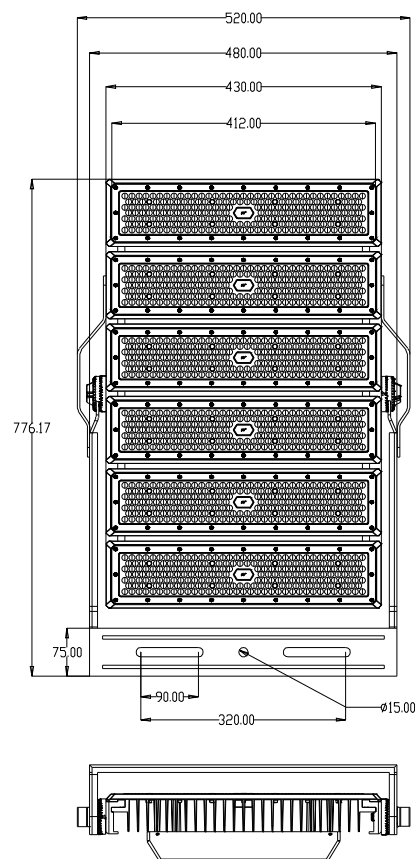
Power	900W
LED Chips	LUMILEDS / SANAN
Luminous Efficacy	140~150lm/W
Luminous Flux	Refer to IES
CCT	3000K~6500K
Beam Angle	30° / 45° / 60° / 90° 80°*140° / 120°*40°*60°
CRI (Ra)	70+/80+

Electrical Data

Driver	Meanwell/Sosen
Input Voltage	AC100~277V
Power Factor	>0.95
Output Voltage	DC48V
Total Harmonic Distortion	< 15%
Driver Efficiency	92%

Others

IP Rating	IP66
Lifespan	60,000Hrs
Housing	Die-cast aluminum
Lens Material	Polycarbonate
Fixture Size	776*490*155mm
Carton Size	340*120*560mm
Net Weight	8KG
Gross Weight	9KG



Sports and High Mast Light ISL-QCD-E1050W

Specifications

Optical Data

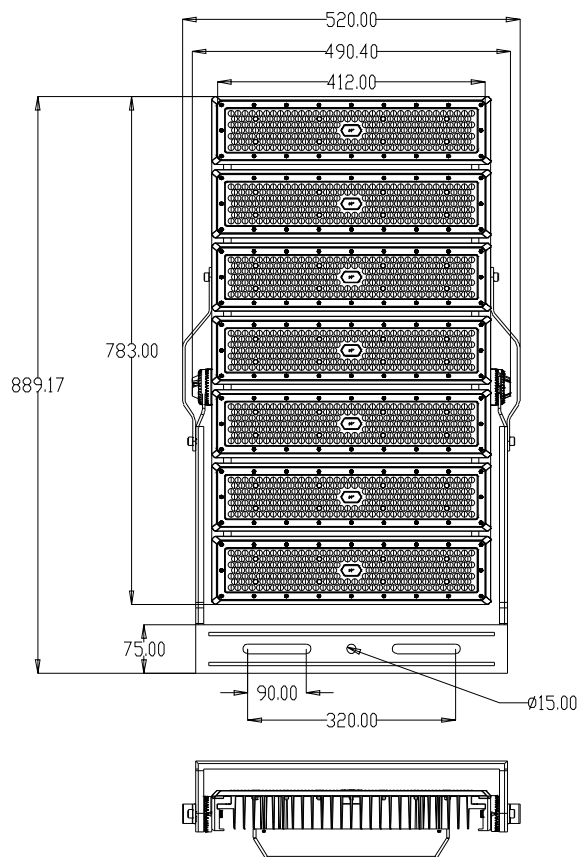
Power	1050W
LED Chips	LUMILEDS / SANAN
Luminous Efficacy	140~150lm/W
Luminous Flux	Refer to IES
CCT	3000K~6500K
Beam Angle	30° / 45° / 60° / 90° 80°*140° / 120°*40°*60°
CRI (Ra)	70+/80+

Electrical Data

Driver	Meanwell/Sosen
Input Voltage	AC100~277V
Power Factor	>0.95
Output Voltage	DC48V
Total Harmonic Distortion	< 15%
Driver Efficiency	92%

Others

IP Rating	IP66
Lifespan	60,000Hrs
Housing	Die-cast aluminum
Lens Material	Polycarbonate
Fixture Size	889*490*155mm
Carton Size	550*800*180mm
Net Weight	29KG
Gross Weight	30.5KG



Sports and High Mast Light ISL-QCD-E1200W

Specifications

Optical Data

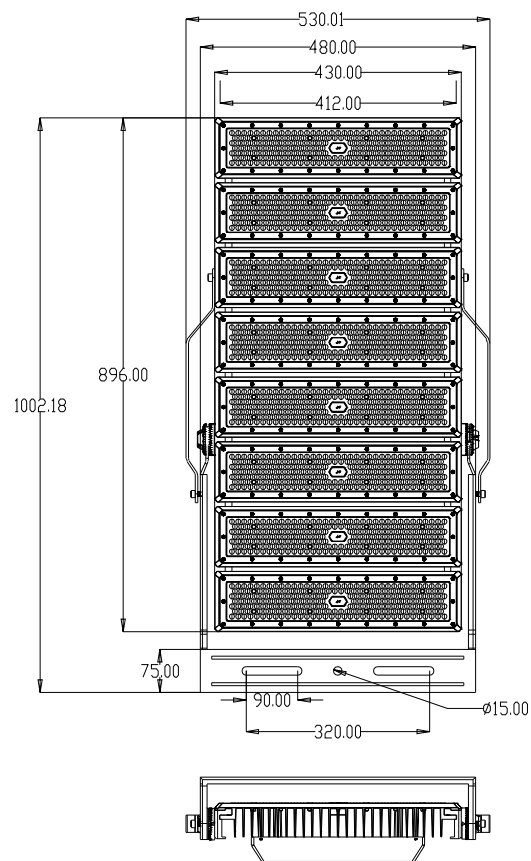
Power	1200W
LED Chips	LUMILEDS / SANAN
Luminous Efficacy	140~150lm/W
Luminous Flux	Refer to IES
CCT	3000K~6500K
Beam Angle	30° / 45° / 60° / 90° 80*140° / 120*40°*60°
CRI (Ra)	70+/80+

Electrical Data

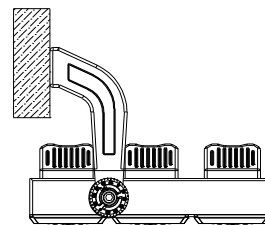
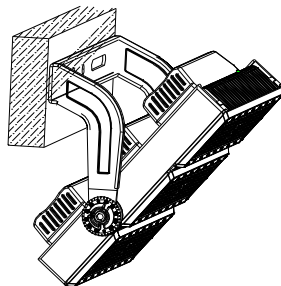
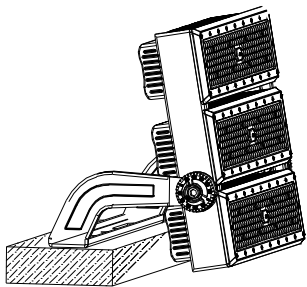
Driver	Meanwell/Sosen
Input Voltage	AC100~277V
Power Factor	>0.95
Output Voltage	DC48V
Total Harmonic Distortion	< 15%
Driver Efficiency	92%

Others

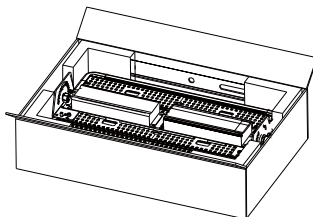
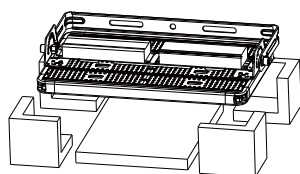
IP Rating	IP66
Lifespan	60,000Hrs
Housing	Die-cast aluminum
Lens Material	Polycarbonate
Fixture Size	1020*490*155mm
Carton Size	570*1050*180mm
Net Weight	33KG
Gross Weight	34.5KG



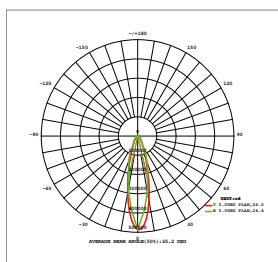
Installations



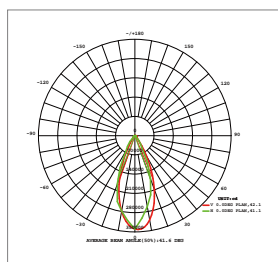
Package



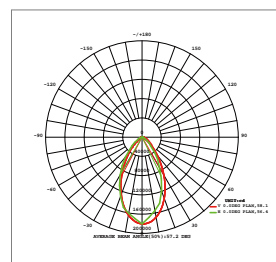
Photometric Diagrams



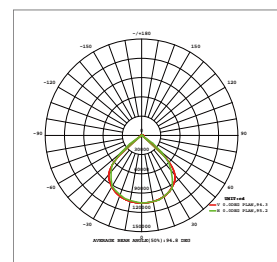
30°



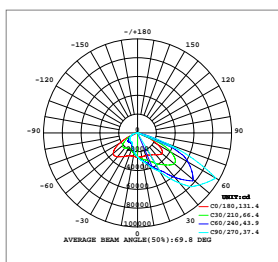
45°



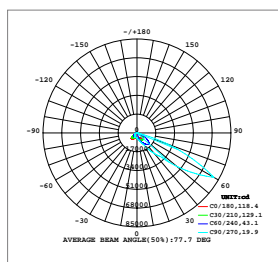
60°



90°

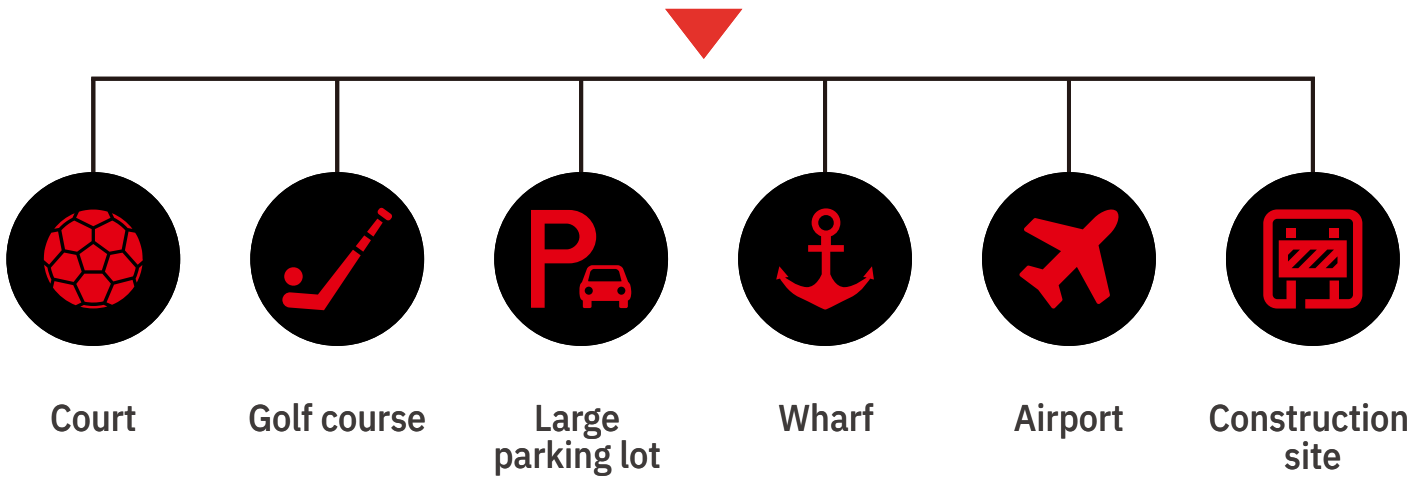


140*80°



120*40*60°

Application



Specifications

Model	ISL-QCD-E150W	ISL-QCD-E300W	ISL-QCD-E450W	ISL-QCD-E600W	ISL-QCD-E750W	ISL-QCD-E900W	ISL-QCD-E1050W	ISL-QCD-E1200W
Power Consumption	150W	300W	450W	600W	750W	900W	1050W	1200W
Input Voltage	AC 100~277V							
LED Chip	Lumileds / Sanan							
LED QTY	224pcs	448pcs	672pcs	896pcs	1120PCS	1344pcs	1568pcs	1792pcs
CRI	Ra>70, Ra>80							
Power Factor	>0.95							
Light Efficacy	Up to 150lm/w							
IP Rating	IP66							
Working Temp	-35°C ~ +50°C							
Beam Angel	Symmetrical 30°/45°/60°/90° Asymmetrical 80*140°/ 120*40°*60°							
Warranty	5 Years/ 7 Years							
Product Size Carton Size (mm)	150x490x140 510x180x170	315x490x155 510x350x180	428x490x155 510x460x180	555x490x155 510x580x180	668x490x155 510x700x180	776x490x155 340x120x560	889x490x155 550x800x180	1020x490x155 570x1050x180
N.W/G.W	4.5KG/5.5KG	8.5KG/9.5KG	12.5KG/13.5KG	16KG/17.5 KG	20.5KG/22KG	8KG/9KG	29KG/30.5KG	33KG/34.5KG

ISHINELUX

Contact Us

Tel: + 86-755-29815402

Email: info@ishinelux.com



Shenzhen Ishinelux Technology Co.,Ltd

©Copyright Ishinelux 2015

www.ishinelux.com