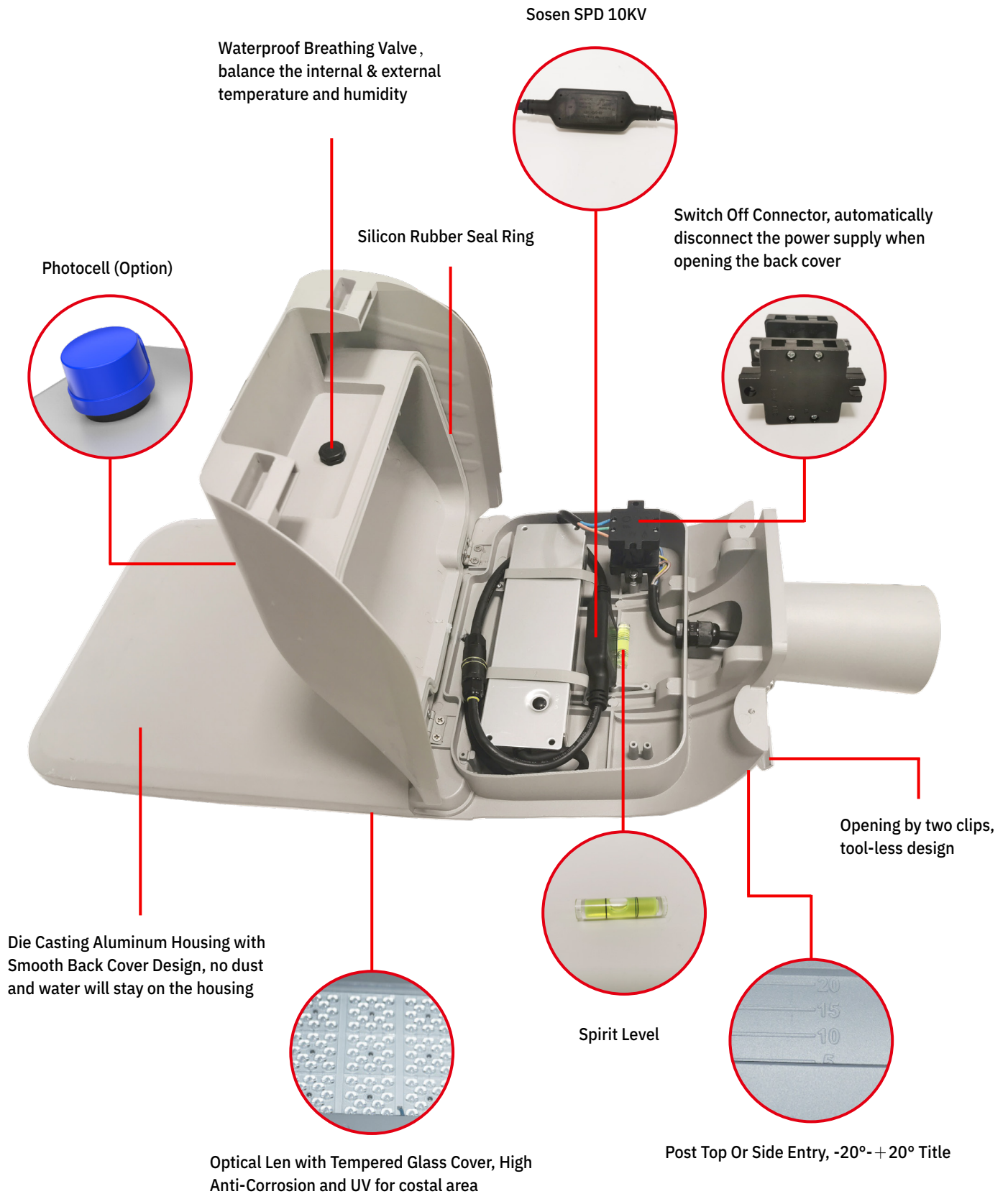


 *IShineLUX*



LEGEND I
LED STREET LIGHT

Key Features



LEGEND I Street Light

ISL-LDA-60W/90W

Specifications

Optical Data

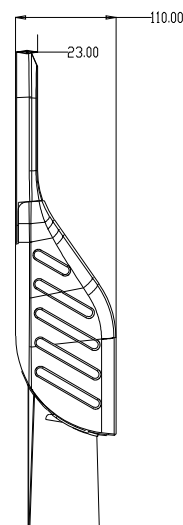
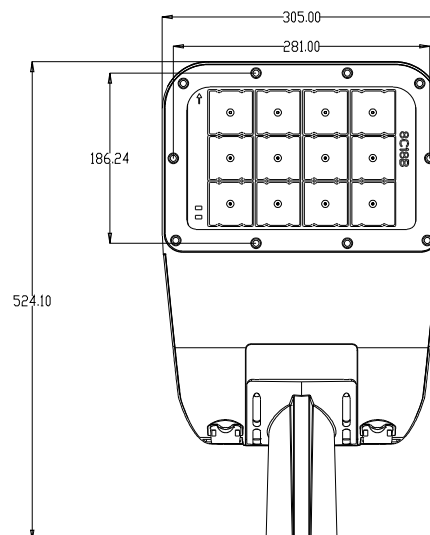
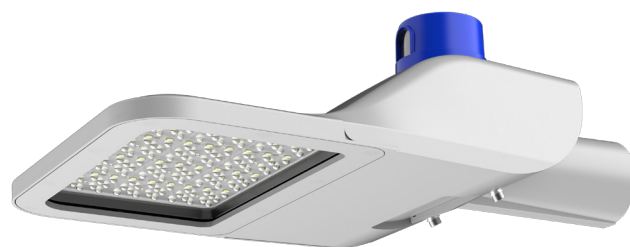
Power	60W / 90W
LED Chips	Lumileds
Luminous Efficacy	140~150lm/W
CCT	3000K-6500K
CRI (Ra)	70+/80+

Electrical Data

Driver	Meanwell / Sosen
Input Voltage	AC100-277V
Power Factor	>0.95
Output Voltage	DC42V
Total Harmonic Distortion	< 15%
Driver Efficiency	92%

Others

IP Rating	IP66
Lifespan	60,000Hours
Housing	Aluminum
Lens Material	PC+Glass
Fixture Size	520*300*135 mm
Carton Size	555*320*140 mm
Net Weight	5KG
Gross Weight	5.3KG



LEGEND I Street Light

ISL-LDA-120W/150W

Specifications

Optical Data

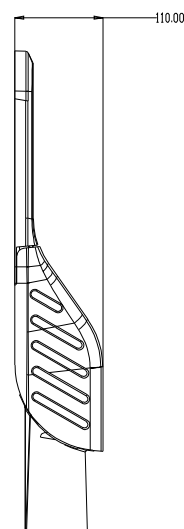
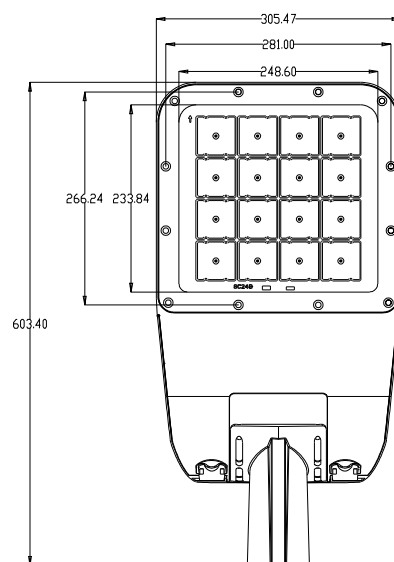
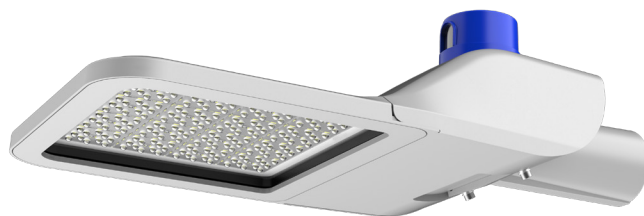
Power	120W / 150W
LED Chips	Lumileds
Luminous Efficacy	140~150lm/W
CCT	3000K-6500K
CRI (Ra)	70+/80+

Electrical Data

Driver	Meanwell / Sosen
Input Voltage	AC100-277V
Power Factor	>0.95
Output Voltage	DC42V
Total Harmonic Distortion	< 15%
Driver Efficiency	92%

Others

IP Rating	IP66
Lifespan	60,000Hours
Housing	Aluminum
Lens Material	PC+Glass
Fixture Size	630*300*135 mm
Carton Size	640*320*140 mm
Net Weight	6.5KG
Gross Weight	6.8KG



LEGEND I Street Light

ISL-LDA-180W/210W/240W

Specifications

Optical Data

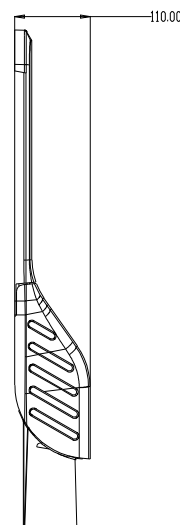
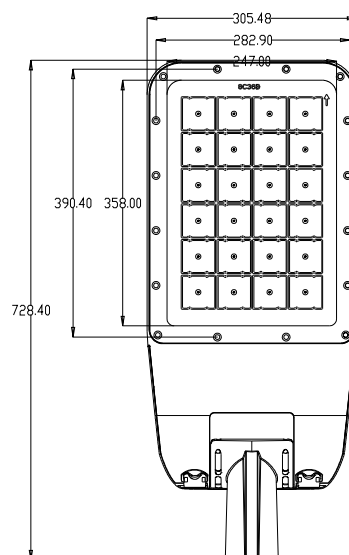
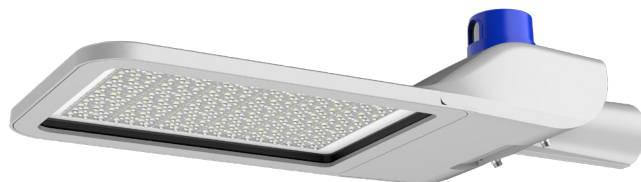
Power	180W/210W/240W
LED Chips	Lumileds
Luminous Efficacy	140~150lm/W
CCT	3000K-6500K
CRI (Ra)	70+/80+

Electrical Data

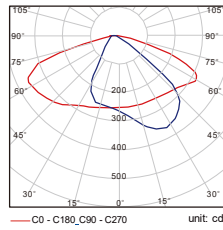
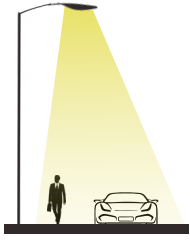
Driver	Meanwell / Sosen
Input Voltage	AC100-277V
Power Factor	>0.95
Output Voltage	DC42V
Total Harmonic Distortion	< 15%
Driver Efficiency	92%

Others

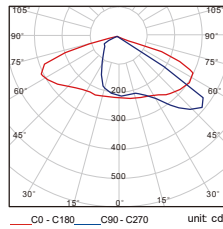
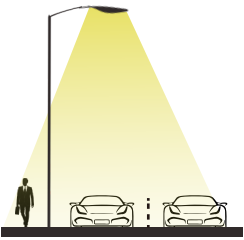
IP Rating	IP66
Lifespan	60,000Hours
Housing	Aluminum
Lens Material	PC+Glass
Fixture Size	720*300*135 mm
Carton Size	755*320*140 mm
Net Weight	8KG
Gross Weight	8.5KG



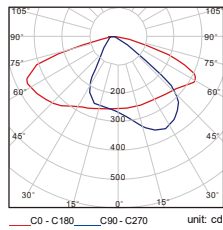
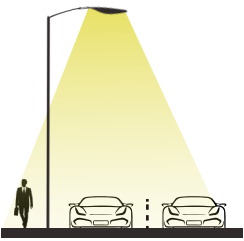
Multiple Light Distribution



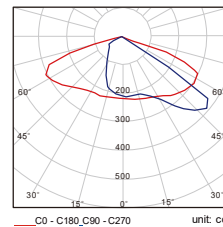
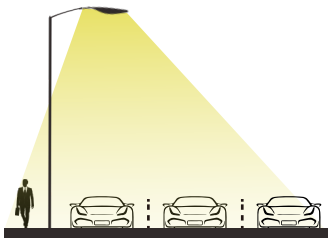
These parameters [Lav, U0, UI, TI, SR] can meet the requirements. In accordance with CIE140 / EN13201 (ME3 ~ ME5) requirements, through simulation, this narrow light distribution is ideal for illuminating sidewalks, trails and sidewalks.



Narrow light distribution can also be used for dual lanes. You can use this type of light distribution on wide sidewalks, side roads and auxiliary roads. According to the requirements of CIE140 / EN13201 (ME3 ~ ME5), by simulation, these parameters [Lav, U0, UI, TI, SR] can meet the requirements.

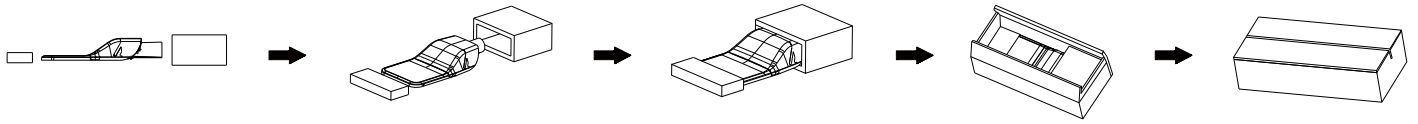


The wide light distribution is ideal for freeways, expressways and urban arteries. The step height ratio of the point can reach 3.5. According to the requirements of CIE140 / EN13201 (ME1 ~ ME2), through simulation, these parameters [Lav, U0, UI, TI, SR] can meet the requirements.



The wide light distribution is also ideal for multi-lane roads. You can use wide light distribution for multi-lane arteries, downtown roads, etc. The pitch height ratio of the point can reach 3.5. (ME1~ ME2) , through simulation, these parameters [Lav, U0, UI, TI, SR] can meet the requirements.

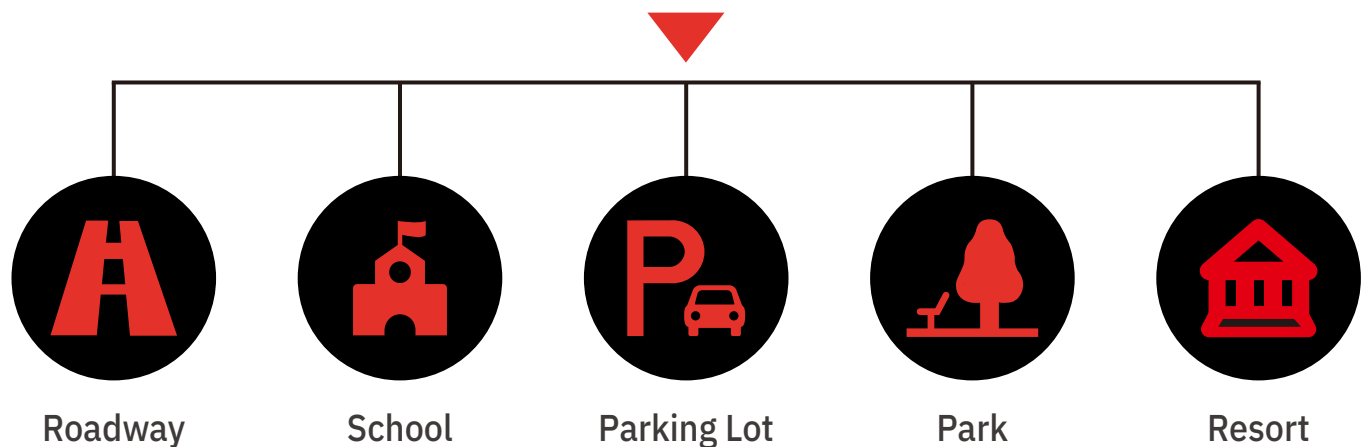
Package



Specifications

Model	ISL-LDA-60W/90W	ISL-LDA-120W/150W	ISL-LDA-180W/210W/240W
Dimension	520*300*135mm	650*300*135mm	720*300*135mm
Chip qty	Lumileds 3030-144PCS	Lumileds 3030-192PCS	Lumileds 3030-288PCS
Driver	Sosen/Meanwell		
Lumen efficiency	140lm - 150lm		
Input voltage	AC100-277V, 50-60Hz		
CCT	3000-6500k		
Beam angel	EM1~EM5 (TI ~ TIV)		
IP waterproof	IP66		
Warranty	5 / 7 years warranty		
Product Size(MM)/ Carton Size(MM)	520*300*135 mm 555*320*140 mm	630*300*135 mm 640*320*140 mm	720*300*135 mm 755*320*140 mm
N.W/G.W	5KG/5.3KG	6.5KG/6.8KG	8KG/8.5KG

Application



ISHINELUX

Contact Us

Tel: + 86-755-29815402

Email: info@ishinelux.com



Shenzhen Ishinelux Technology Co.,Ltd

©Copyright Ishinelux 2015

www.ishinelux.com