

 **IShineLUX**



NOVA RGBW Flood Light

www.ishinelux.com

Tel: +86-755-29815402
Email: info@ishinelux.com

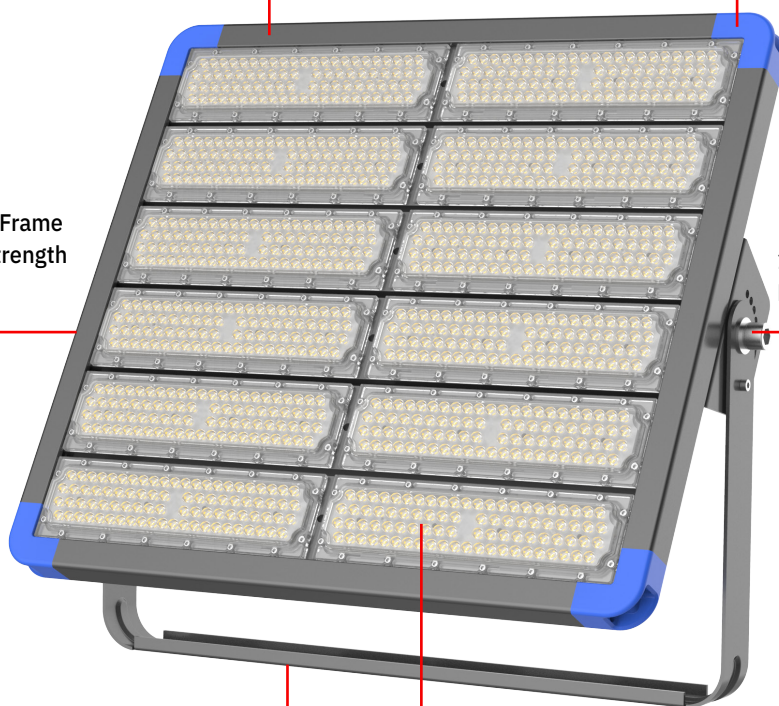
Key Features

Integrated Breather Valve & Extrusion Aluminum Heat Sink Result In Excellent Thermal Management

Blue Aluminum Corner Increase Industrial Look

Black Extrusion Aluminum Frame Provide High Mechanical Strength & Best Heat Dissipation

180° Adjustable Bracket, Allows For Precise Installation



"L" Type Extended Bracket & Arms, 4mm Thickness, Anti-typhoon Rating 17

Anti-UV Optical Lens, 94% Transmittance, Professional Light Distribution: 15°/25°/45°/60°/90°/20*50°/30*70°/80*140°

NOVA RGBW Flood Light

ISL-SDD-50W

Specifications

Optical Data

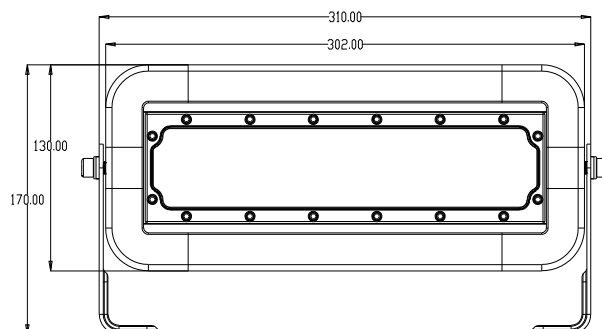
Power	50W
LED Chips	SANAN
Luminous Flux	Refer to IES
CCT	RGBW
Beam Angle	15°/25°/45°/60°/90°/ 20°*50°/30°*70°/80°*140°

Electrical Data

Driver	China Brand
Input Voltage	AC100-265V
Power Factor	>0.95
Output Voltage	DC42V
Total Harmonic Distortion	< 15%
Driver Efficiency	92%

Others

IP Rating	IP66
Life Span	50,000Hrs
Housing	Extrusion Aluminum 6063
Lens Material	Polycarbonate
Fixture Size	310*87*170mm
Carton Size	340*110*190mm
Net Weight	2.3KG
Gross Weight	2.6KG



NOVA RGBW Flood Light

ISL-SDD-100W

Specifications

Optical Data

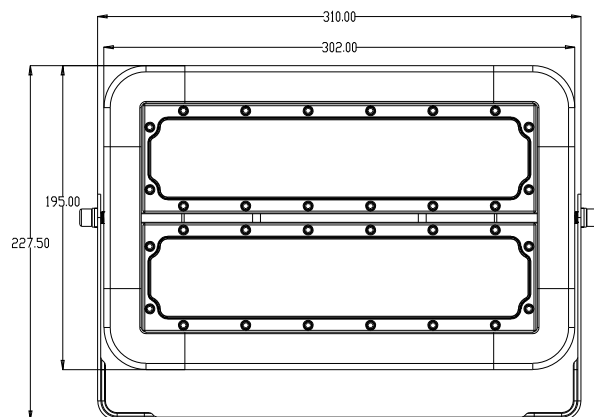
Power	100W
LED Chips	SANAN
Luminous Flux	Refer to IES
CCT	RGBW
Beam Angle	15°/25°/45°/60°/90°/ 20°*50°/30°*70°/80°*140°

Electrical Data

Driver	China Brand
Input Voltage	AC100-265V
Power Factor	>0.95
Output Voltage	DC42V
Total Harmonic Distortion	< 15%
Driver Efficiency	92%

Others

IP Rating	IP66
Life Span	50,000Hrs
Housing	Extrusion Aluminum 6063
Lens Material	Polycarbonate
Fixture Size	310*87*228mm
Carton Size	340*110*250mm
Net Weight	3.6KG
Gross Weight	4.1KG



NOVA RGBW Flood Light

ISL-SDD-150W

Specifications

Optical Data

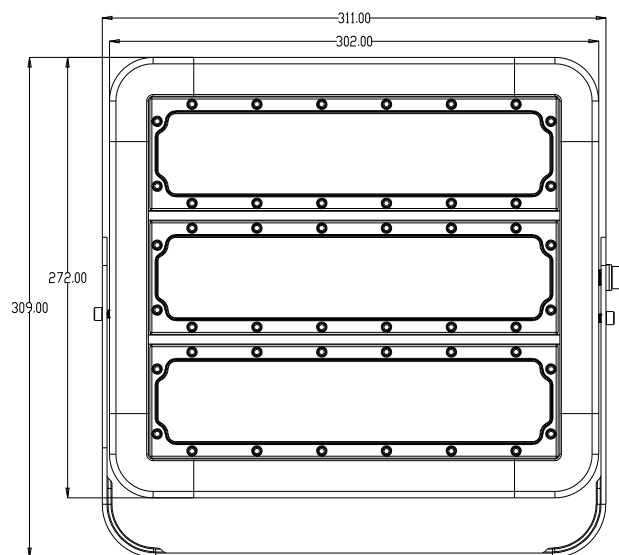
Power	150W
LED Chips	SANAN
Luminous Flux	Refer to IES
CCT	RGBW
Beam Angle	15°/25°/45°/60°/90°/ 20°*50°/30°*70°/80°*140°

Electrical Data

Driver	China Brand
Input Voltage	AC100-265V
Power Factor	>0.95
Output Voltage	DC42V
Total Harmonic Distortion	< 15%
Driver Efficiency	92%

Others

IP Rating	IP66
Life Span	50,000Hrs
Housing	Extrusion Aluminum 6063
Lens Material	Polycarbonate
Fixture Size	311*87*309mm
Carton Size	340*110*330mm
Net Weight	4.5KG
Gross Weight	5.0KG



NOVA RGBW Flood Light

ISL-SDD-200W

Specifications

Optical Data

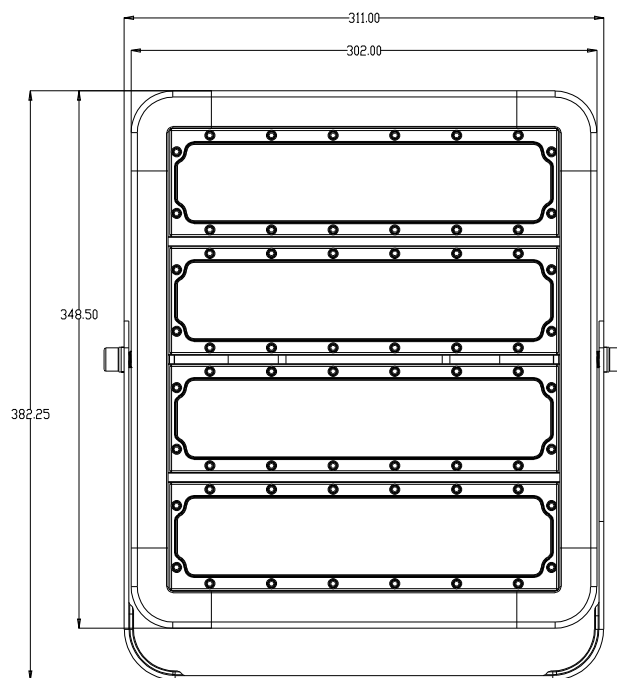
Power	200W
LED Chips	SANAN
Luminous Flux	Refer to IES
CCT	RGBW
Beam Angle	15°/25°/45°/60°/90°/ 20°*50°/30°*70°/80°*140°

Electrical Data

Driver	China Brand
Input Voltage	AC100-265V
Power Factor	>0.95
Output Voltage	DC42V
Total Harmonic Distortion	< 15%
Driver Efficiency	92%

Others

IP Rating	IP66
Life Span	50,000Hrs
Housing	Extrusion Aluminum 6063
Lens Material	Polycarbonate
Fixture Size	311*97*383mm
Carton Size	340*120*400mm
Net Weight	5.5KG
Gross Weight	6.5KG



NOVA RGBW Flood Light

ISL-SDD-250W

Specifications

Optical Data

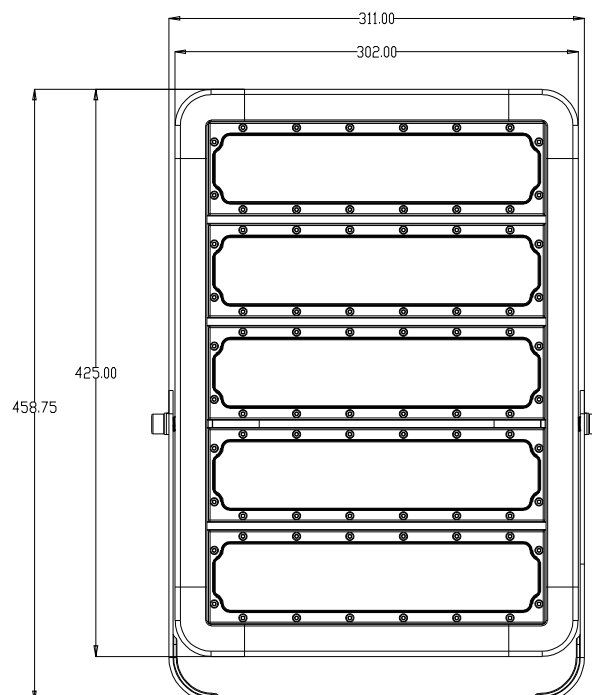
Power	250W
LED Chips	SANAN
Luminous Flux	Refer to IES
CCT	RGBW
Beam Angle	15°/25°/45°/60°/90°/ 20°*50°/30°*70°/80°*140°

Electrical Data

Driver	China Brand
Input Voltage	AC100-265V
Power Factor	>0.95
Output Voltage	DC42V
Total Harmonic Distortion	< 15%
Driver Efficiency	92%

Others

IP Rating	IP66
Life Span	50,000Hrs
Housing	Extrusion Aluminum 6063
Lens Material	Polycarbonate
Fixture Size	311*97*459mm
Carton Size	340*120*480mm
Net Weight	6.5KG
Gross Weight	7.5KG



NOVA RGBW Flood Light

ISL-SDD-300W

Specifications

Optical Data

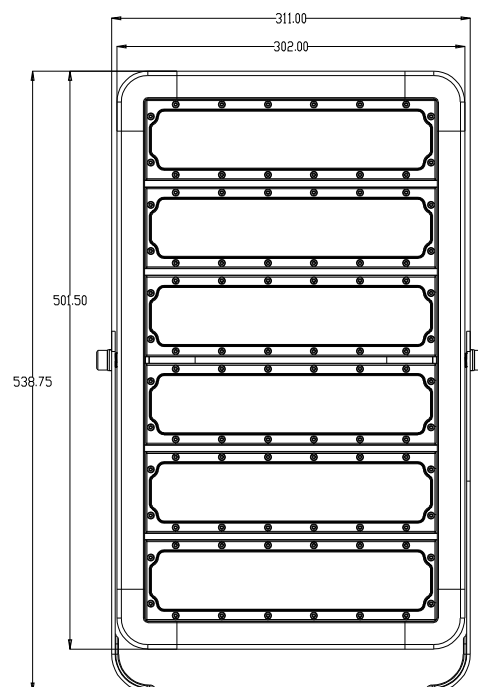
Power	300W
LED Chips	SANAN
Luminous Flux	Refer to IES
CCT	RGBW
Beam Angle	15°/25°/45°/60°/90°/ 20°*50°/30°*70°/80°*140°

Electrical Data

Driver	China Brand
Input Voltage	AC100-265V
Power Factor	>0.95
Output Voltage	DC42V
Total Harmonic Distortion	< 15%
Driver Efficiency	92%

Others

IP Rating	IP66
Life Span	50,000Hrs
Housing	Extrusion Aluminum 6063
Lens Material	Polycarbonate
Fixture Size	311*97*539mm
Carton Size	340*120*560mm
Net Weight	8.0KG
Gross Weight	9.0KG



NOVA RGBW Flood Light

ISL-SDD-400W

Specifications

Optical Data

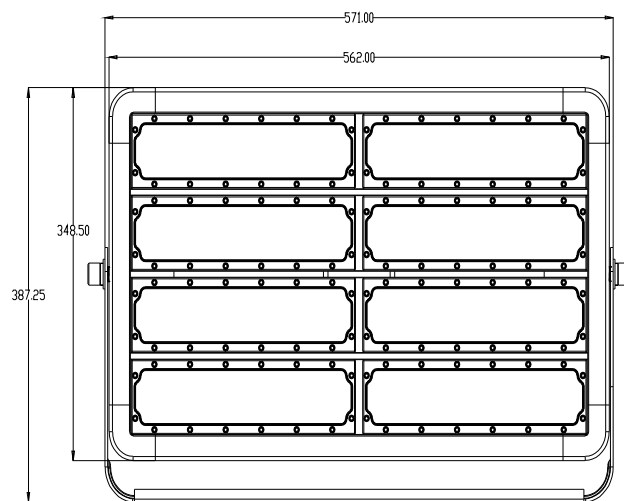
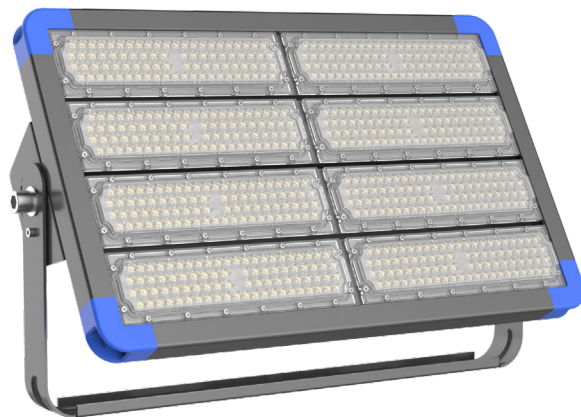
Power	400W
LED Chips	SANAN
Luminous Flux	Refer to IES
CCT	RGBW
Beam Angle	15°/25°/45°/60°/90°/ 20°*50°/30°*70°/80°*140°

Electrical Data

Driver	China Brand
Input Voltage	AC100-265V
Power Factor	>0.95
Output Voltage	DC42V
Total Harmonic Distortion	< 15%
Driver Efficiency	92%

Others

IP Rating	IP65
Life Span	50,000Hrs
Housing	Extrusion Aluminum 6063
Lens Material	Polycarbonate
Fixture Size	571*107*388mm
Carton Size	600*140*400mm
Net Weight	11.0KG
Gross Weight	12.0KG



NOVA RGBW Flood Light

ISL-SDD-500W

Specifications

Optical Data

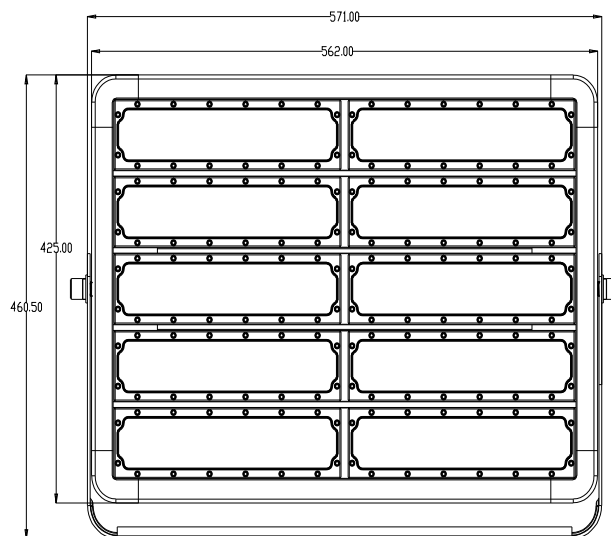
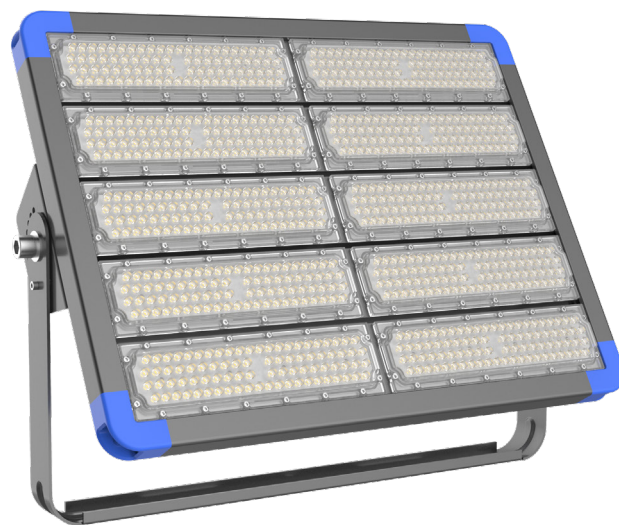
Power	500W
LED Chips	SANAN
Luminous Flux	Refer to IES
CCT	RGBW
Beam Angle	15°/25°/45°/60°/90°/ 20°*50°/30°*70°/80°*140°

Electrical Data

Driver	China Brand
Input Voltage	AC100-265V
Power Factor	>0.95
Output Voltage	DC42V
Total Harmonic Distortion	< 15%
Driver Efficiency	92%

Others

IP Rating	IP65
Life Span	50,000Hrs
Housing	Extrusion Aluminum 6063
Lens Material	Polycarbonate
Fixture Size	571*107*461mm
Carton Size	600*140*480mm
Net Weight	12.0KG
Gross Weight	13.5KG



NOVA RGBW Flood Light

ISL-SDD-600W

Specifications

Optical Data

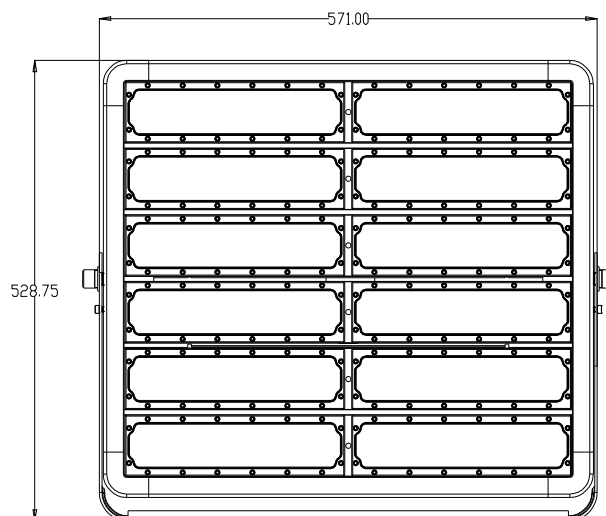
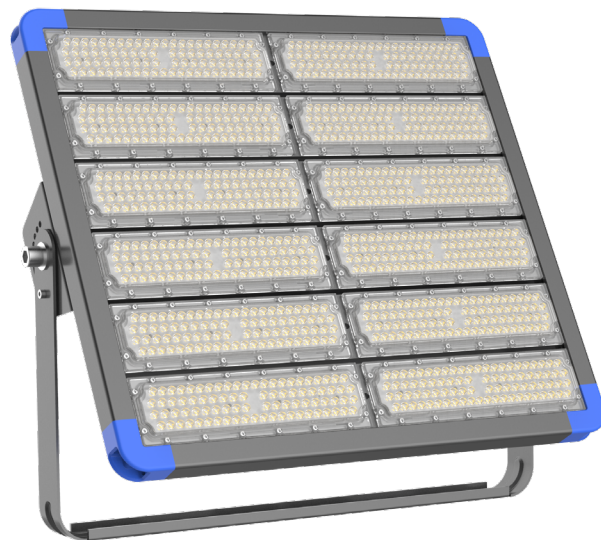
Power	600W
LED Chips	SANAN
Luminous Flux	Refer to IES
CCT	RGBW
Beam Angle	15°/25°/45°/60°/90°/ 20°*50°/30°*70°/80°*140°

Electrical Data

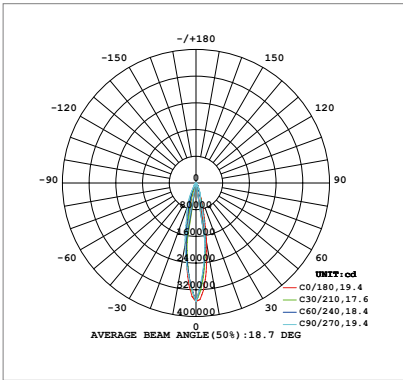
Driver	China Brand
Input Voltage	AC100-265V
Power Factor	>0.95
Output Voltage	DC42V
Total Harmonic Distortion	< 15%
Driver Efficiency	92%

Others

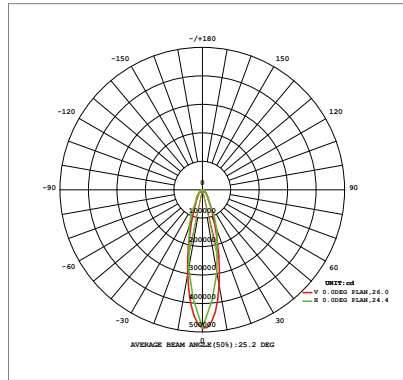
IP Rating	IP65
Life Span	50,000Hrs
Housing	Extrusion Aluminum 6063
Lens Material	Polycarbonate
Fixture Size	571*107*529mm
Carton Size	600*140*550mm
Net Weight	14.0KG
Gross Weight	15.5KG



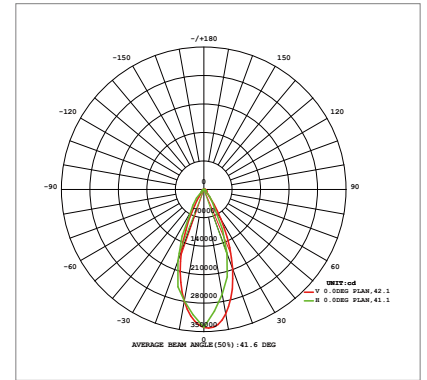
Photometric Diagrams



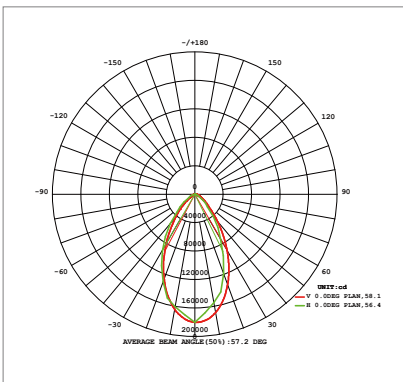
15°



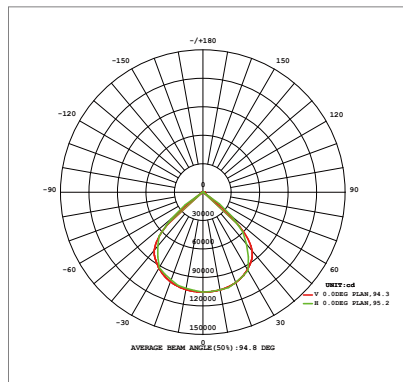
25°



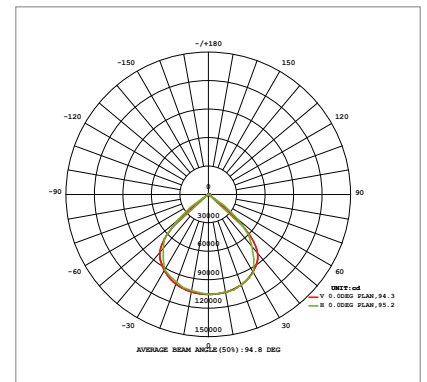
45°



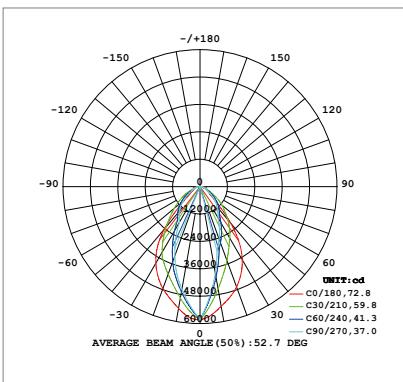
60°



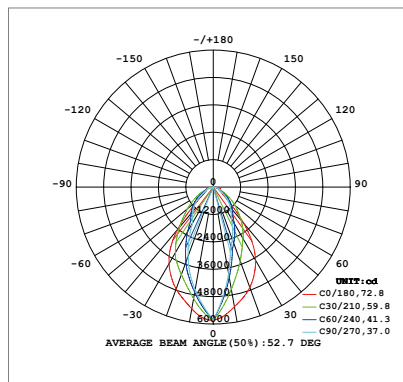
90°



20*50°

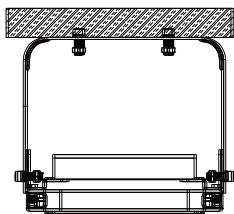


30*70°

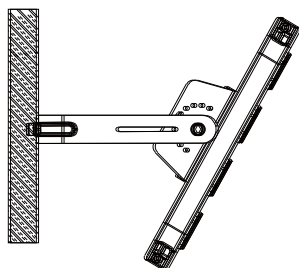


80*140°

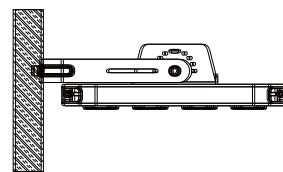
Installations



Suspended Mounting

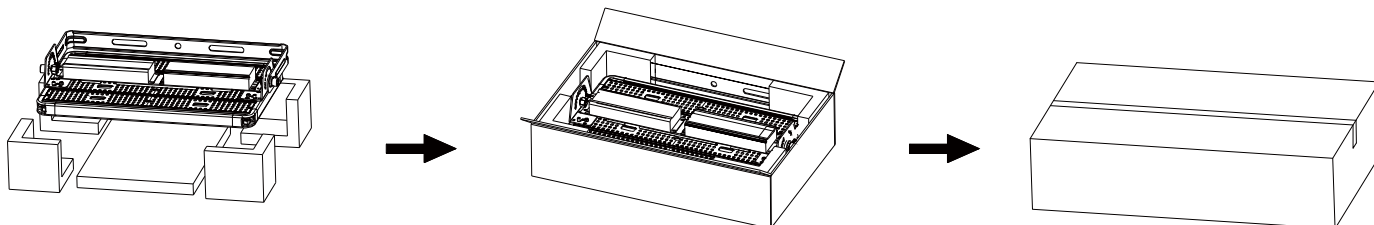


Wall Mounting



Vertical Mounting

Package



Specifications

Model	ISL-SDD-50W	ISL-SDD-100W	ISL-SDD-150W	ISL-SDD-200W	ISL-SDD-250W	ISL-SDD-300W	ISL-SDD-400W	ISL-SDD-500W	ISL-SDD-600W
Power Consumption	50W	100W	150W	200W	250W	300W	400W	500W	600W
Input Voltage	AC100 ~ 265V, DC24/36V								
LED Chip	SANAN								
LED QTY	80 pcs	160 pcs	240 pcs	320 pcs	400 pcs	480 pcs	640 pcs	800 pcs	960 pcs
Power Factor	>0.95								
IP Rating	IP66								
Working Temp	-35°C ~ +50°C								
Beam Angel	Symmetrical 15°/30°/45°/60°/90° Asymmetrical 50°*20°/70°*30°/140°*80°								
Warranty	5 Years								
Product Size Carton Size (mm)	310x87x170 340x110x190	310x87x228 340x110x190	310x87x309 340x110x190	310x87x382 340x110x190	310x87x459 340x110x190	310x87x539 340x110x190	310x87x388 340x110x190	310x87x461 340x110x190	310x87x529 340x110x190
N.W/G.W	2.3KG/2.6KG	3.6KG/4.1KG	4.5KG/5KG	5.5KG/6.5KG	6.5KG/7.5 KG	8KG/9KG	11KG/12KG	12KG/13.5KG	14KG/15.5KG